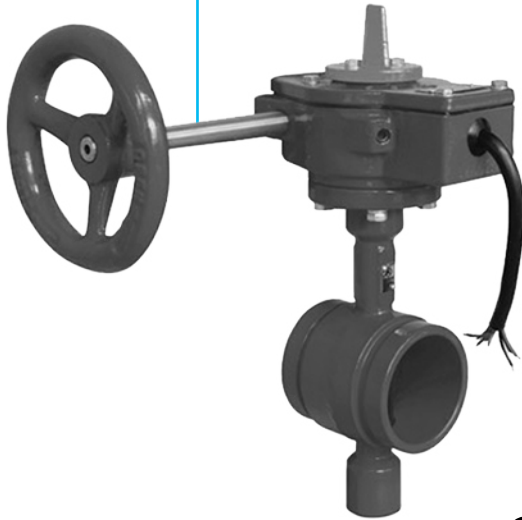


Grooved End SPF Butterfly Valve Fig. SPF-BFV-1



For Listings/Approval Details and Limitations, visit our website at www.asc-es.com or contact an ASC Engineered Solutions Sales Representative.

The Figure SPF BFV-1 Grooved End SPF Butterfly Valve is UL Listed and FM Approved as a system control valve. The valve is rated at 300 psi for steel pipe in the 2" to 12" sizes. The 2" to 12" sizes are agency rated for both indoor and outdoor service.

The valve is supplied with two internal switches. One is wired for supervisory service and the other is wired for use as an auxiliary switch. Both switches are rated for 16 amp at 125, 250 VAC and 0.6 amp at 125 VDC, 0.3 amp at 250 VDC. The switches and actuator internal spaces are protected from tampering.

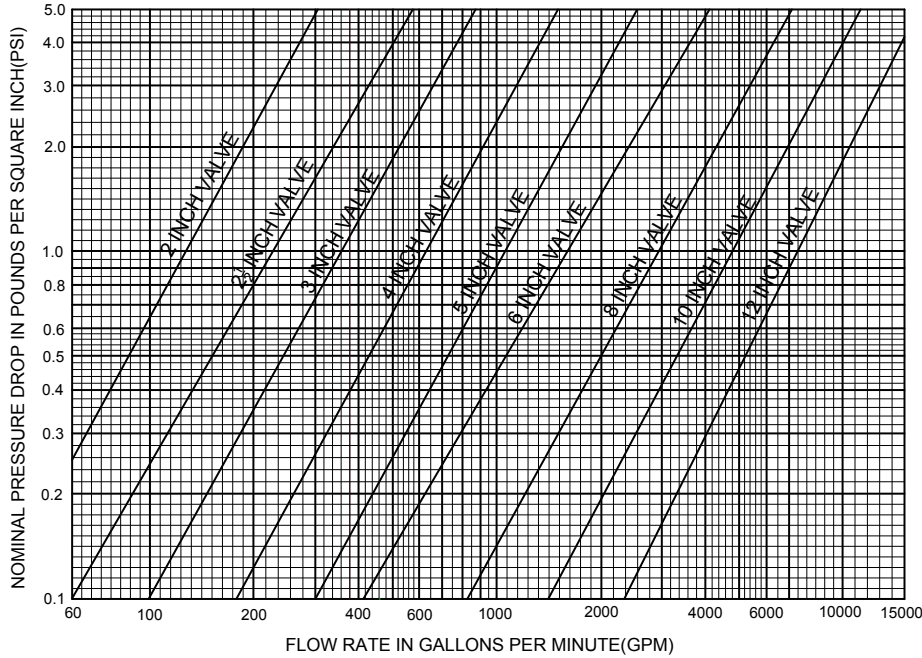
The ductile iron valve body is encapsulated with a durable epoxy coating to ensure long term service. The valve features double-seal disc design with resilient EPDM coating, and stems are 416 stainless steel. Detailed instructions for valve installation and switch wiring are included with each valve.



PROJECT INFORMATION	APPROVAL STAMP
Project:	Approved
Address:	Approved as noted
Contractor:	Not approved
Engineer:	Remarks:
Submittal Date:	
Notes 1:	
Notes 2:	

Grooved End SPF Butterfly Valve
Fig. SPF-BFV-1

Pressure Drop (PSI) Vs. (GPM)



CV Values

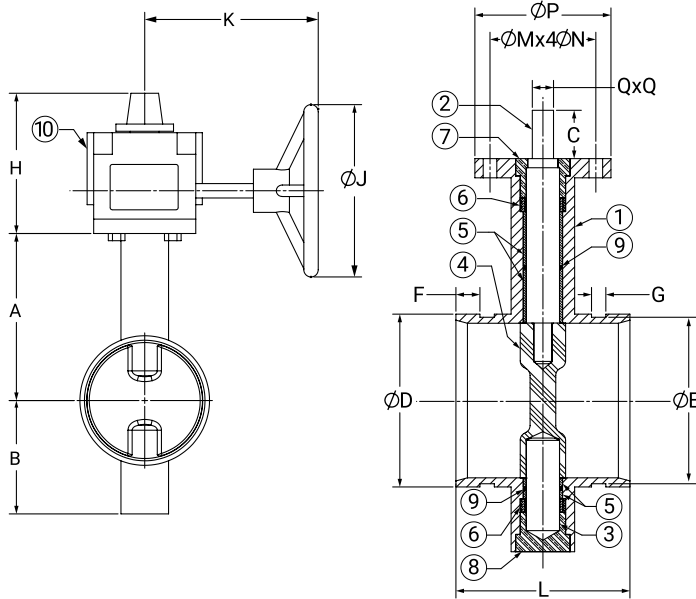
Valve Size (In.)	Disc Position (Degrees Open)							
	25°	30°	40°	50°	60°	70°	80°	90°
2	3	6	16	37	40	67	93	132
2 ½	7	12	28	64	69	117	161	230
3	13	18	45	100	115	192	255	358
4	22	31	76	181	189	317	440	624
5	44	54	129	284	315	553	780	1049
6	59	86	199	461	494	837	1173	1636
8	104	153	358	827	884	1471	2065	2918
10	170	243	586	1351	1452	2413	3397	4760
12	259	375	891	2075	2222	3702	5416	7396



asc-es.com

Building connections that last™

Grooved End SPF Butterfly Valve
Fig. SPF-BFV-1



Material Specifications

- 1. Body**
Ductile Iron per ASTM A536
- 2. Upper Shaft**
SS416 PER ASTM A582
- 3. Lower Shaft**
SS416 PER ASTM A582
- 4. Disc**
Ductile Iron per A536 DISC, EPDM Encapsulated
- 5. Stem Bushing**
2"-6": PTFE / 8" - 12": C95400
- 6. Shaft Seal**
EPDM per ASTM D2000
- 7. Upper Shaft Sealing Nut**
WCB per ASTM A216
- 8. Lower Shaft Sealing Nut**
WCB per ASTM A216
- 9. O-Ring**
EPDM PER ASTM D2000
- 10. Gear Box**

Fig. SPF-BFV-1/ULC/FM Butterfly BFV Valve

Valve Size	Valve Dimensions															Approx. Wt. Ea.
	A	B	C	D	E	F	G	H	J	K	L	M	N	P	Q	
In./DN(mm)	In./mm	In./mm	In./mm	In./mm	In./mm	In./mm	In./mm	In./mm	In./mm	In./mm	In./mm	In./mm	In./mm	In./mm	In./mm	Lb./Kg
2 50.80	3.39 110	3.35 85	1.42 36	2.37 60.30	2.25 57.15	0.63 15.90	0.31 7.90	4.37 111	3.39 86	6.02 153	3.46 88	2.76 70	0.35 9	3.54 90	0.47 12	16.5 7.5
2½ 65	4.92 125	3.74 95	1.26 32	2.87 73	2.72 69.1	0.63 15.9	0.31 7.9	4.37 111	5.98 152	6.02 153	3.8 96.4	2.76 70	0.35 9	3.54 90	0.39 10	18 8.2
3 80	5.51 140	3.94 100	1.26 32	3.50 88.9	3.34 84.9	0.63 15.9	0.31 7.9	4.37 111	5.98 152	6.02 153	3.82 97	2.76 70	0.35 9	3.54 90	0.43 11	18 8.2
4 100	6.30 160	3.94 100	1.26 32	4.50 114.3	4.33 110.1	0.63 15.9	0.37 9.5	4.37 111	5.98 152	6.02 153	4.53 115.1	2.76 70	0.35 9	3.54 90	0.55 14	22 10
5 125	6.69 170	4.92 125	1.26 32	5.56 141.3	5.39 137	0.63 15.9	0.37 9.5	4.37 111	5.98 152	6.02 153	5.21 132.4	2.76 70	0.35 9	3.54 90	0.55 14	28 12.7
6 150	7.48 190	5.51 140	1.26 32	6.63 168.3	6.46 164	0.63 15.9	0.37 9.5	4.37 111	7.87 200	6.02 153	5.21 132.4	2.76 70	0.35 9	3.54 90	0.63 16	32 14.5
8 200	9.06 230	6.89 175	1.26 32	8.63 219.1	8.44 214.4	0.75 19	0.44 11.1	4.96 126	11.81 300	8.27 210	5.80 147.4	4.02 102	0.47 12	4.92 125	0.75 19	60 27.3
10 254	10.24 260	7.87 200	2.48 63	10.75 273	10.56 268.30	0.75 19	0.50 12.70	6.34 161	13.78 350	9.80 249	6.26 159	4.02 102	0.47 12	4.92 125	1.20 30.5	134.5 61
12 304.80	11.81 300	9.45 240	3.03 77	12.75 323.80	12.53 318.3	0.75 19	0.50 12.70	6.34 161	13.78 350	9.80 249	6.50 165	4.92 125	0.55 14	5.91 150	1.30 33	161 73



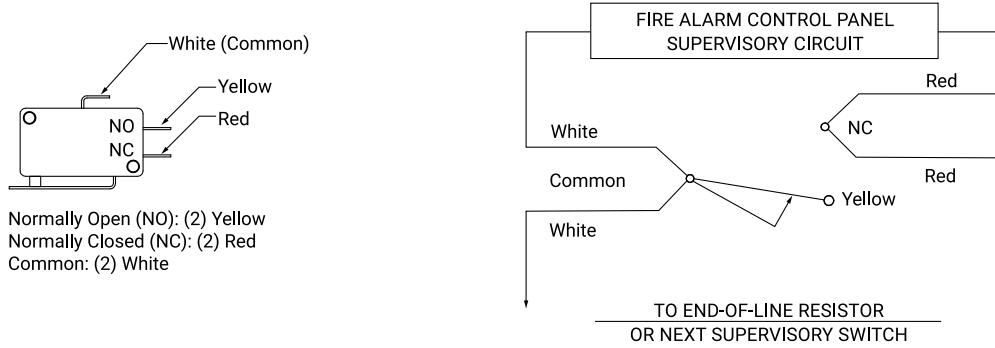
asc-es.com

Building connections that last™

Grooved End SPF Butterfly Valve Fig. SPF-BFV-1

Actuator Wiring

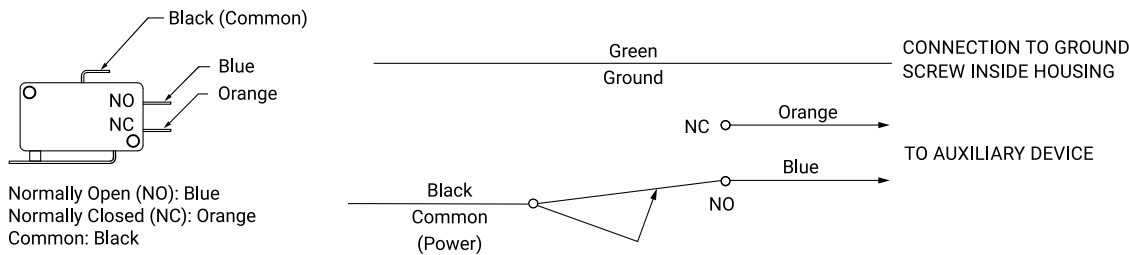
Supervisory Switch



Notes:

1. Single Pole Double Throw Switch wired "Normally Closed"; supplied with Dual Wire leads.
2. Switch Schematic shown with Valve in the Full Open Position and Switch depressed.

Auxiliary Switch



Notes:

1. Single Pole Double Throw Switch wired "Normally Closed"; supplied with Single Wire leads.
2. Switch Schematic shown with Valve in the Full Open Position and Switch depressed.

Notes:

- Single Pole Double Throw Switch; Pre-Wired
- Wire Leads: 18 AWG, 7" (178 mm) Long
- Rated to 16A @ 125, 250 VAC and 0.6A @ 125 VDC, 0.3A @ 250 VDC
- Operating Temperature: -40°C (-40°F) to 180°F (82°C)



asc-es.com

Building connections that last™